



CAUTION

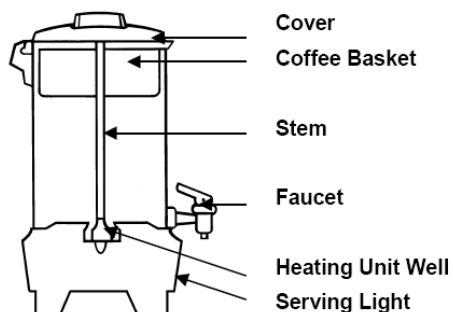
To prevent personal injury or property damage, read and follow all instructions and warnings.

When using electrical appliances, basic safety precautions should always be followed including the following:

- Read all instructions, including these important safeguards and the care and use instructions in this manual.
- Do not use appliance for other than intended use.
- Do not place on or near a hot gas or electric burner, or in a heated oven.
- Do not operate when the appliance is not working properly or when it has been damaged in any manner. For service information see warranty page.
- The use of accessory attachments not recommended by West Bend® Housewares may result in fire, electric shock or injury to persons.
- Do not attempt to repair this appliance yourself.
- Do not use this appliance on the stovetop, under a broiler, in the oven, or in the refrigerator or freezer.
- **For household use only.**

HEAT PRECAUTIONS

- Do not touch hot surfaces. Use handles and knobs where provided. Use hot pads or oven mitts when handling hot surfaces.
- Extreme caution must be used when moving an appliance containing hot oil or other hot liquids.
- Make sure cover, basket, stem and cord are properly attached before coffeemaker is plugged in. No part of the coffeemaker should be removed during the brewing cycle as scalding may occur.



Water Level	Amount of Ground Coffee	Water Level	Amount of Ground Coffee
42 Cups	2 ½ Cups	24 Cups	1 ½ Cups
36 Cups	2 Cups	22 Cups	1 ½ Cups
30 Cups	1 ¾ Cups	18 Cups	1 ¼ Cups
28 Cups	1 2/3 Cups	12 Cups	1 Cup

SPECIAL NOTE ON GRINDING COFFEE BEANS: If grinding your own coffee beans, grind to medium coarseness for best results. **DO NOT** grind too fine (powder-like) as this can cause basket to flood. Use standard measuring cups to measure coffee. Do not allow ground coffee to fall into stem. The amount of coffee recommended will produce mild coffee, which most people prefer.

1. With basket and stem removed, fill coffeemaker with COLD water to desired level using the cup markings on inside of coffeemaker as a guide. Do not make less than 12 or more than maximum capacity of the coffeemaker at one time.
2. Place stem into heating unit in bottom of coffeemaker, then put basket on stem. Spread the recommended amount of ground coffee evenly into the basket. See chart. Use regular electric perk grind coffee or coffee ground for all coffeemakers. *Do not use drip or finely ground coffee as flooding of the basket can occur.*
3. Turn cover in place on coffeemaker. To reduce coffee spills, especially if coffeemaker is tipped over, make sure cover has been turned clockwise until it is completely secured in the handle slots. (Note the arrows on the cover for correct turning.) The cover temporarily reduces coffee spillage if coffeemaker is tipped over, so care should be used when moving coffeemaker.
4. Place coffeemaker on a dry, level surface. Attach cord to coffeemaker and plug into a 120 volt AC electrical outlet **ONLY**.
5. Coffeemaker stops perking automatically. (Each cup of coffee requires about 1 minute brewing time) Serving light will glow when coffee is ready. Before serving, use a hot pad to remove cover, then carefully remove stem and basket from coffeemaker as coffee and grounds are HOT. If not removed, bitter oils from the coffee grounds will drip into coffee. Replace the cover making sure it is completely secured into the handle slots.
6. Coffee will remain at serving temperature as long as coffeemaker is connected to outlet. (if you have an insulated coffeemaker, the sealed-air insulation will keep coffee hot for up to two hours without electricity.) To serve, place cup and saucer under faucet and press down on handle. If a continuous flow is desired to fill a carafe, lift handle straight up until it locks into open position. When approximately one cup of coffee remains in coffeemaker, disconnect from outlet.

TO MAKE MORE COFFEE: If another pot of coffee is desired right away, partially fill coffeemaker with cold water to reset the thermostat. Pour out water, refill with cold water and repeat steps 1-6.

TO HEAT WATER FOR INSTANT BEVERAGES: Plain water may be heated in your coffeemaker for use with instant beverages. Simply fill the clean coffeemaker with cold water to the desired cup level, and then place the stem and empty coffee basket in place. Using the stem and empty basket will heat the water more uniformly. Secure cover in place and plug coffeemaker in. Heat water until perking stops and serving light comes on. Unplug coffeemaker when less than 1 cup remains. **Other than making coffee or heating water, no other liquid should be heated in coffeemaker as damage to heating unit can occur.**

When coffeemaker is used to heat water only, the metal inside will discolor which is normal and does not affect performance or the water heated in the coffeemaker. Refer to Special Cleaning Instructions in this manual for removing discoloration as well as mineral deposits, which form inside the coffeemaker when heating water. If these deposits are not removed, pitting of the metal inside may occur and result in damage to coffeemaker. Refer to the cleaning your coffeemaker section.

CLEANING YOUR COFFEEMAKER

Improper cleaning of the coffeemaker, especially the heating unit well will affect performance of the coffeemaker, resulting in weak, lukewarm coffee and may even cause the coffeemaker to stop perking. To keep your coffeemaker working properly, it is important to follow all cleaning instructions after each use.

1. Unplug coffeemaker and allow to cool before cleaning.
2. Clean basket, stem and cover in hot soapy water with a dishcloth, rinse and dry. Coffee stains on underside of cover or stem may be removed by scouring with a damp cloth and a non-abrasive cleanser.
3. Clean inside of coffeemaker by filling with hot water until about one-third full. Add small amount of liquid dishwasher detergent and wash with a dishcloth or sponge. Then clean the heating unit well (where stem fits) with a scouring pad, to remove coffee residue. Twist pad inside heating unit well to clean thoroughly.
IMPORTANT: If heating unit well is not kept clean, coffeemaker will not perform properly.
4. After cleaning inside of coffeemaker, drain and rinse inside. Clean faucet by letting clear water run through it into sink, while moving faucet handle up and down. Drain water from inside of coffeemaker and dry.
5. Clean outside of coffeemaker with a damp cloth and dry with a soft cloth. Do not use abrasive metal scouring pads or cleansers on outside of coffeemaker as scratching will occur.

DO NOT WASH COFFEEMAKER PARTS IN AN AUTOMATIC DISHWASHER.